

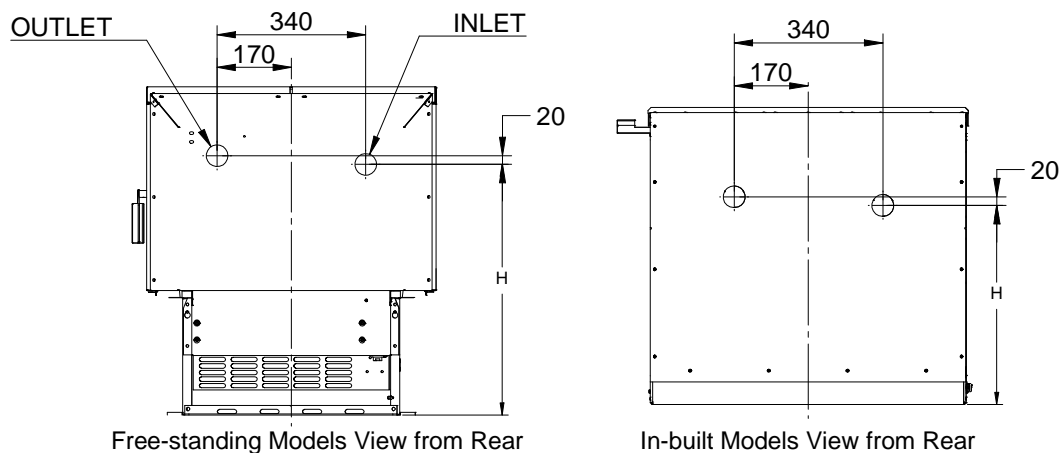
INSTRUCTIONS TO INSTALL A WATER BOOSTER FOR MASPORT WOOD FIRE

Water Booster Kit - Part No. 986063

Output - 2.7kW maximum depending on the model and operating conditions.

Installation of water booster pipe work must only be carried out by a registered plumber in accordance with AS3500.4.1 or NZS 4603 and the appropriate requirements of all relevant building codes and best practices. Please check with your local building authority before installing this water booster.

In New Zealand, models Masport F3300C, R5000 & Mackenzie R10000 have been tested and 983596 comply with AS/NZS 4013:1999 standards for installation. Refer table given in Fig.1 for compliance of this water booster in different air-sheds and modifications required for specific models. Note: Air slide on Mackenzie R10000 model needs to be changed .



MODEL	CLEAN AIR COMPLIANCE	HEIGHT(H)	Additional Required Modification(s)
F3300C	NES, ECAN & ORC Air shed 1	575	No
R5000		589	
Mackenzie R10000	NES & ECAN only	615	Air Slide
F2000	Allowed in Rural Properties of 2 hectares and over only.	492	No
F2200C		492	
F3000		575	
F7000		613	
GRANDVIEW		605	
I9000 (Insert / Built In)		456 / 508	
TALISMAN		553	

Figure 1- Compliance and Water Pipe Connection Positions for various models

CAUTIONS:

- THE HOT WATER SYSTEM MUST BE VENTED TO AVOID DANGEROUS EXPLOSIONS.
- FOR EFFECTIVE CIRCULATION, THE PIPES FROM THE WOOD FIRE SHOULD BE RISE AT THE RATE OF ONE IN TWELVE TOWARD THE STORAGE CYLINDER.
- IDEALLY, THE CYLINDER SHOULD BE WITHIN THREE METERS OF THE WOOD FIRE. (Refer Figure 2).
- THERE MUST BE NO NON-RETURN OR SHUT-OFF VALVES IN THE PIPES BETWEEN THE WOODFIRE AND THE STORAGE CYLINDER.
- A WOODFIRE FITTED WITH A WATER HEATING BOOSTER MUST NOT BE FIRED UNLESS IT IS CONNECTED TO A VENTED STORAGE CYLINDER FILLED WITH WATER FREE TO CIRCULATE.
- IF THE WETBACK IS SYSTEM IS LINKED TO A SOLAR AND/OR SECONDARY HEAT SOURCE SYSTEM, THEN THE PIPEWORK ARRANGEMENT MUST BE INSTALLED TO THE SPECIFIC MANUFACTURER'S INSTRUCTIONS.

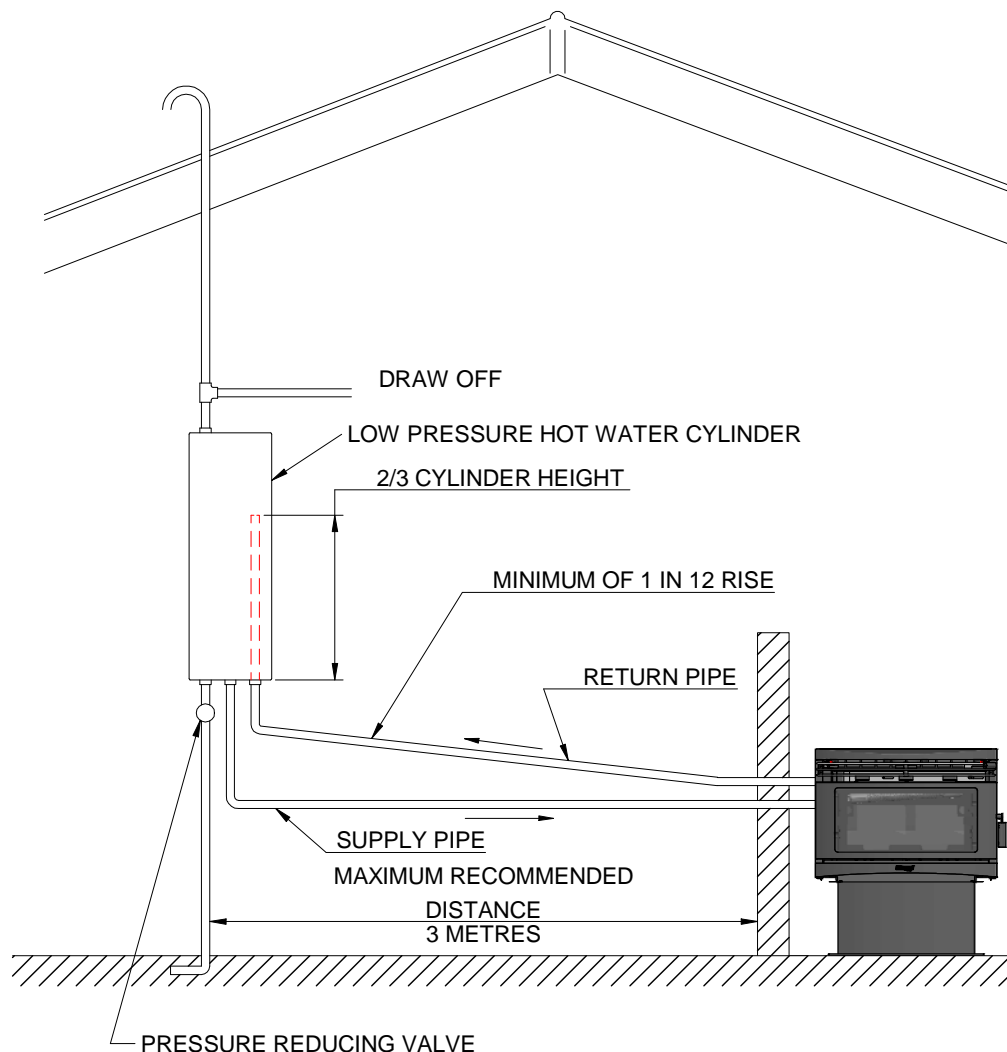


Figure 2 Water pipe installations (LOW PRESSURE)

INSTALLATION:

Water booster tube holes are provided and covered in the back wall of the firebox. All plumbing work must meet the requirements of local plumbing standards. Pipe connections are 1" BSP and the pipe position are illustrated in Figure 1. Special piping methods must be followed to ensure effective circulation, and the hot water cylinder will need to have an internal riser pipe to two thirds of the cylinder height to discourage unwanted water circulation when the wood fire is not burning. This internal riser pipe must be connected to the return pipe from the wood fire.

To install the water booster follow these steps:

- **Important – This water booster is uni-directional. The end marked with “IN” and arrow sign is an inlet for the water booster. Looking from front of fire, ensure that inlet is on the left so that the flow direction is from the left lower side to right.**
- Remove the rear panel and only if necessary remove the heat shield.
- Remove knock-out round plates from the rear panel and heat shield.
- Remove plugs and washers from back of the firebox.
- Fit water booster and ensure the brass nuts are tight as per Figure 3. We recommend sealing the brass nut inside the firebox using fire cement.
- Refit rear panel and heat shield.
- Spacer sleeve may need trimming depending upon model and type of joint used for connecting pipe to water booster. (e.g. crox-nut or brazed extension pipe)
- If necessary, replace existing compliance plate with new compliance plate and transfer serial number.
- Connect water booster to the hot water system.
- Where possible the pipes should be insulated.

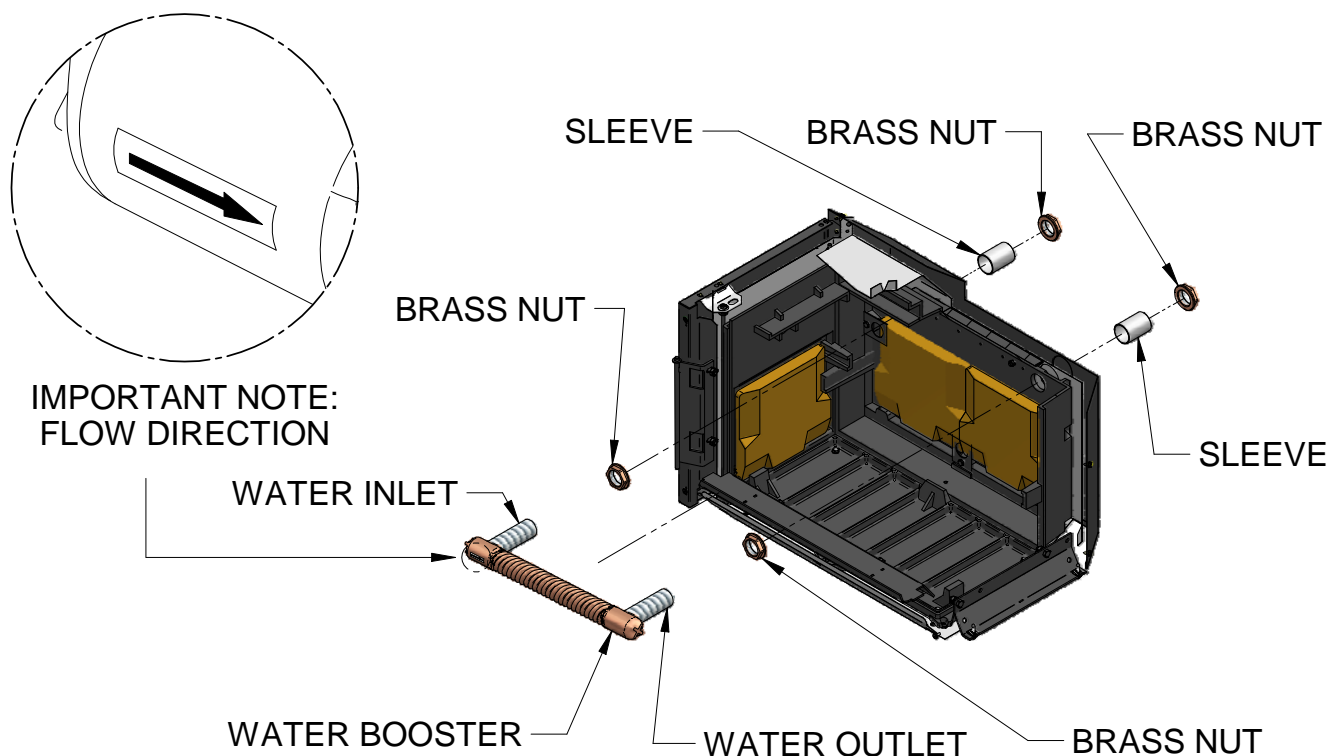


Figure 3 Typical water booster installations in cast or steel fire boxes

AIRSLIDE REPLACEMENT INSTRUCTIONS FOR MACKENZIE R10000 **WHEN INSTALLED IN CLEAN AIR ZONE**

In New Zealand, a special Air Slide marked 983596 supplied with 984915 wetback kit must be fitted if the water booster is installed on Mackenzie R10000. Procedure for replacing Air Slide is shown as follows:

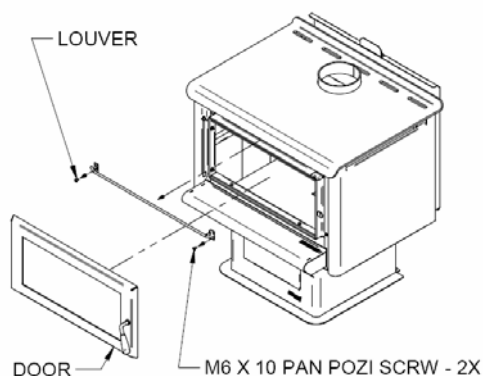


Figure 4

Step One (Figure 4)

1. Remove the door from the heater.
2. Remove 2 X screws (M6 X 10) which fasten the louver in position.
3. Remove the louver from the heater.

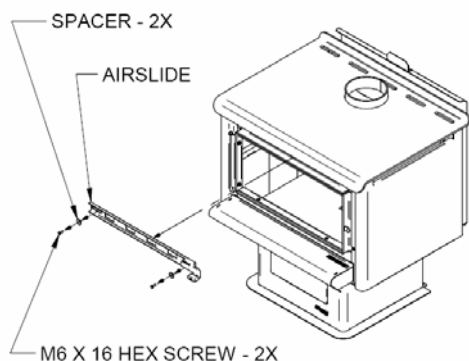


Figure 5

Step Two (Figure 5)

1. Remove 2 X screws (M6 X 16) which fasten the Air Slide.
2. Remove the Air Slide from the heater.

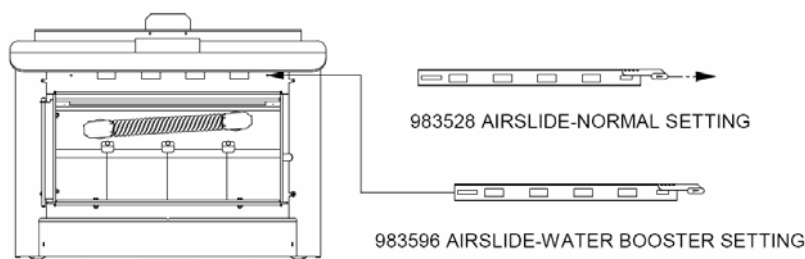


Figure 6

Step Three (Figure 6)

1. Discard Air Slide existing installed in factory and replace it with Air Slide part 983596 supplied along with this kit.

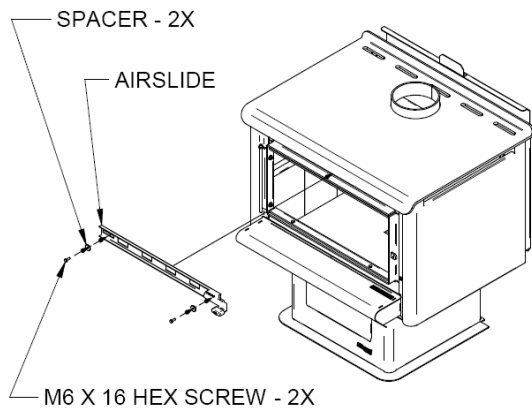


Figure 7

Step Four (Figure 7)

1. Fit the new Air Slide (983596) to the front of the heater using 2 X screws (M6 X 16) and tighten it onto the heater.

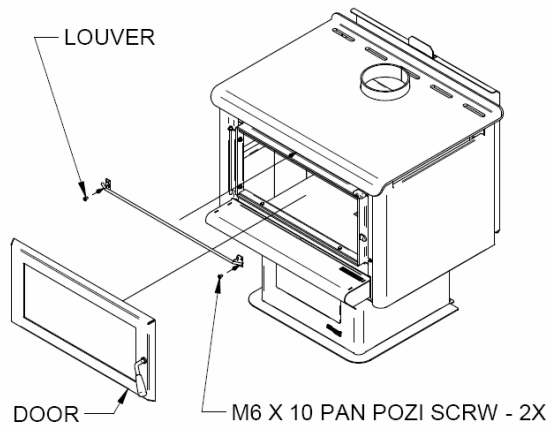


Figure 8

Step Five (Figure 8)

1. Refit the louver to the top of the heater using 2 X screws (M6 X10).
2. Refit the door back to the heater.